

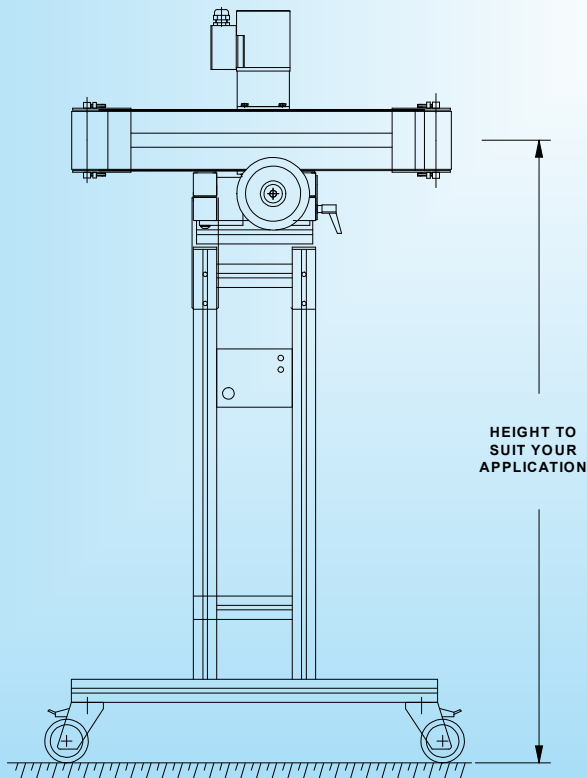
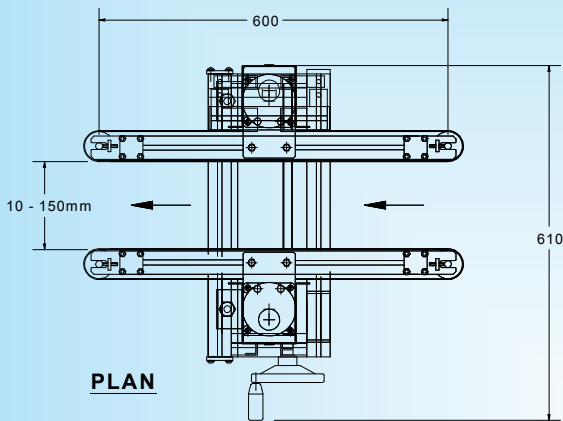


Fully Automatic Pinch Belt transfer

Application

Used for transferring products between conveyors. Two conveyors with a soft rubber belt surface grip the product securely and convey it over an open gap giving good access to the underside for printing, vision systems, bar code reading, etc.

The position of each conveyor is independently adjustable and the distance between the two conveyors is easily adjusted by turning a hand-wheel.



MONK Conveyors Limited

Unit 9, The Christy Estate, Ivy Road, Aldershot, Hampshire GU12 4TX
Tel: +44(0)1252 369800 Fax: +44(0)1252 369801 Email: sales@monk-conveyors.co.uk
Visit our website at: www.monk-conveyors.com